

## Leak & Temperature Sensor Specifications

---

### Application

LeakSmart® Sensor protects your most high risk areas; including washing machines, water heaters, bathrooms, and HVAC units. Designed to fit into tight spaces, without shifting or sliding. The sensors send the signal to shut off water within 5 seconds, alerts you of a leak immediately, and monitors your temperature.

### Features

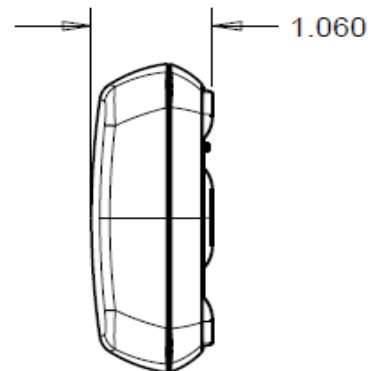
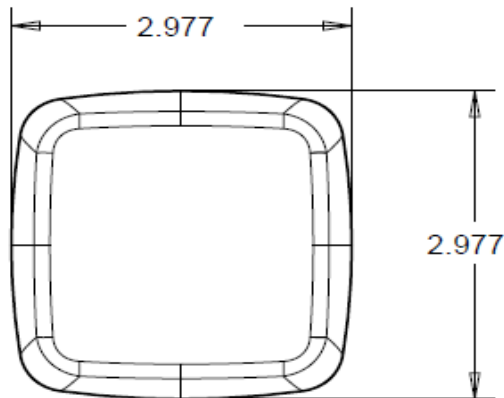
- Supports Zigbee Networking
- Battery power
- LED status light, visual alarm
- Audible Alarm
- 5-year manufacturer's warranty\*

### Product Specifications

- Frequency:** 2405 to 2480 MHz
- Operating Temperature:** -22° F -158° F (-30° C to 70° C)
- Battery Size:** AAA (included)

### Materials

High performance engineered polymer



\* Dimensions for reference

### Approvals



\* 5-year manufacturer's warranty when purchased and installed by a professional installer.