



Protect by LeakSmart® with Flow

Application

The Protect by LeakSmart® with Flow Valve monitors and controls your water activity with our new state-of-the-art flow monitoring system. The valve & flow meter connects directly to the main water supply and automatically shuts off the water in less than 5 seconds in the event of a leak.

Features

- Supports Zigbee Networking
- Full port valves
- Turbine style flow meter
- Quick connect wiring
- AC power with battery back-up
- 3 LED status lights
- Automatic 22-day cleaning cycle
- 5-year manufacturer's warranty*
- LeadFree / NSF 61 certified

Materials

Control Panel: High performance engineered

Valve: Lead Free Brass

Coupling: Lead Free Brass

Flow Meter: Lead Free Brass

Product Specifications

Valve

Frequency: 2405 to 2480 MHz

Max. operating pressure: 150 PSI

Max. ambient temperature: 130° F (54° C)

Min. water temperature: 33° F (1° C)

Max. water temperature: 190° F (88° C)

Valve connection type: NPT

Battery size: AA (included)

AC Adapter: 18' power adapter cord

Input AC Voltage: 110 to 240 VAC, 50/60 Hz

DC Output: 9 Volt

Flow Meter

Temperature (max.): water, $\leq 176^{\circ}\text{F}$ (80°C)

Operating Voltage: DC 4.5-18V

Rated Voltage / Current: DC5V, $\leq 15\text{mA}$

Output voltage, Rated DC5V: Output of high level required above 4.5V, the output of low level required below 0.5V, at rated operating voltage, the output pulse duty cycle is $50\% \pm 10\%$

Insulated resistor: $> 100 \text{ M}\Omega$

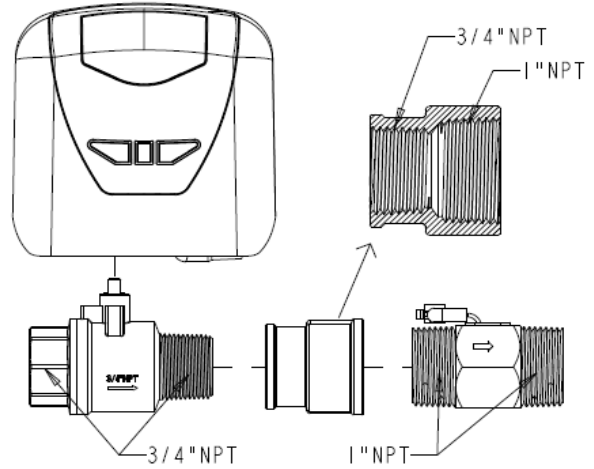
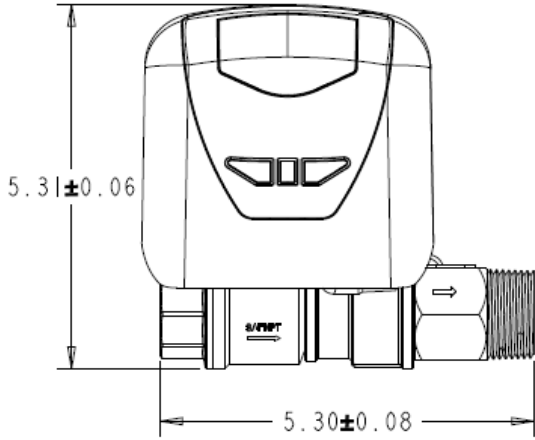
Electrical strength: AC500V, 50Hz

Flow range: 0.79-16.0 gpm (3-60.5 L/min)

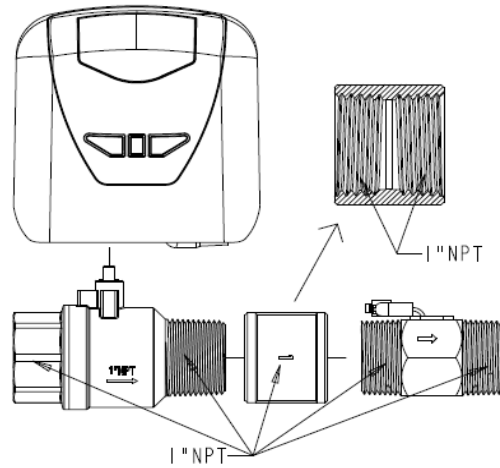
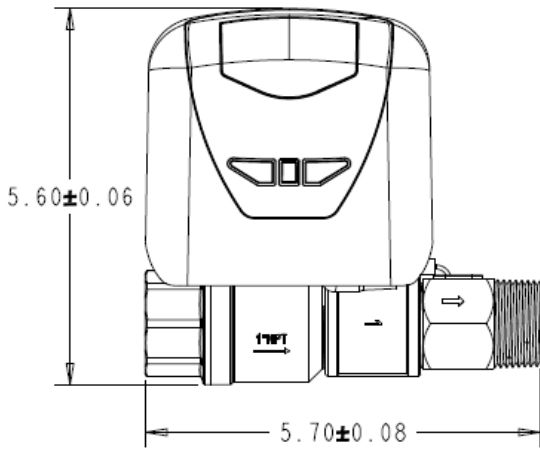
Pressure (max.): 253.8 psi ($\leq 1.75 \text{ Mpa}$)

Protect by LeakSmart[®] with Flow

3/4" Valve 8853001 Dimensions



1" Valve 8853101 Dimensions



Approvals



* 5-year manufacturer's warranty when purchased and installed by a professional installer.