

# SensXtend Accessory Specifications

## Leak & Temperature Sensor Specifications

### Application

LeakSmart® Sensor protects your most high risk areas; including washing machines, water heaters, bathrooms, and HVAC units. Designed to fit into tight spaces, without shifting or sliding. The sensors send the signal to shut off water within 5 seconds, alerts you of a leak immediately, and monitors your temperature.

### Features

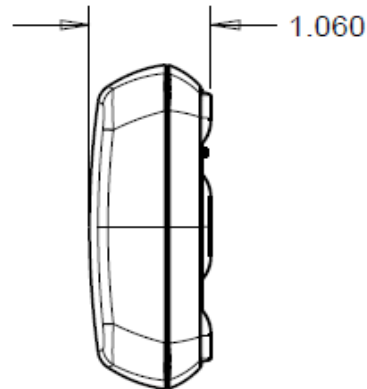
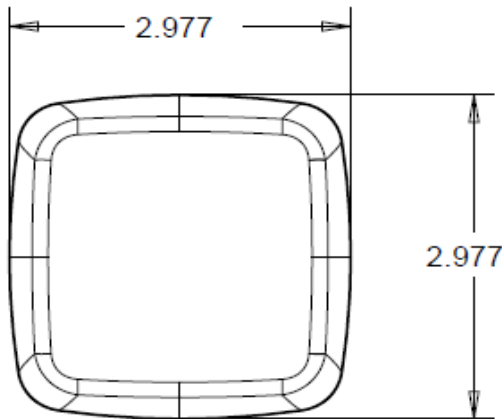
- Supports Zigbee Networking
- Battery power
- LED status light, visual alarm
- Audible Alarm
- 5-year manufacturer's warranty\*

### Product Specifications

- Frequency: 2405 to 2480 MHz
- Operating Temperature: -22° F -158° F (-30° C to 70° C)
- Battery Size: AAA (included)
- Battery Life: 12 - 18 Months

### Materials

High performance engineered polymer



\* Dimensions for reference

### Approvals



\* 5-year manufacturer's warranty when purchased and installed by a professional installer.

## SensXtend Accessory Specifications

### Sensor Dock

#### Application

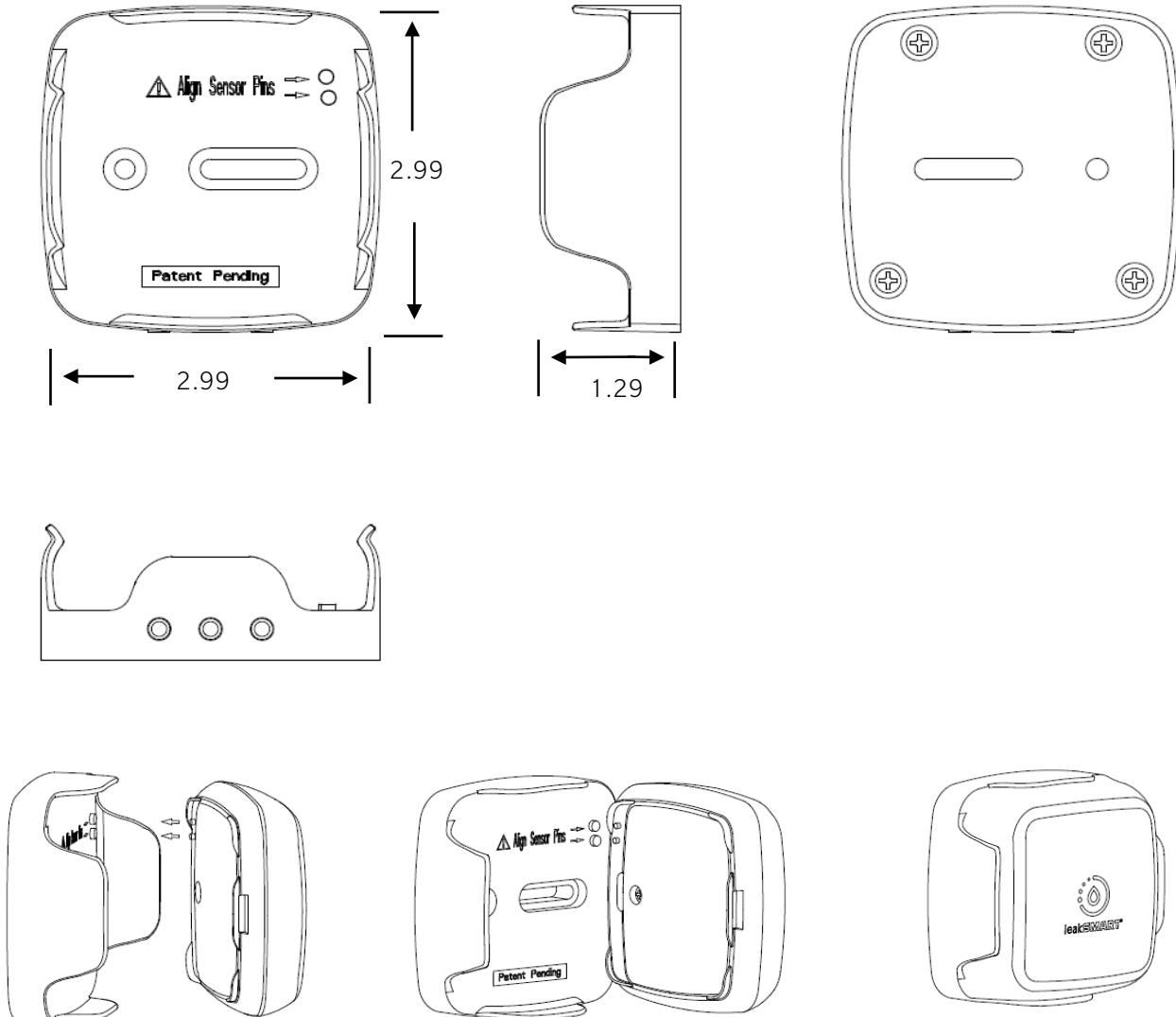
The patented sensor dock connects the LeakSmart Sensor to the SensXtend extension cable and rope sensor, providing customizable extended leak protection. The sensor dock provides 3 separate ports to allow 3 rope extensions to cover surface area in 3 separate directions.

#### Product Specifications

Input Ports (3): 3.5 Audio Jack, Nickel-Plated

#### Materials

ABS



## SensXtend Accessory Specifications

### Extension Cable

#### Application

The extension cable is an optional cable that is used to extend the reach of the rope sensor. It does not detect water leaks, so it's intended to be used in areas where leak detection is necessary so that the full length of the rope sensor can be maximized where it's needed most.

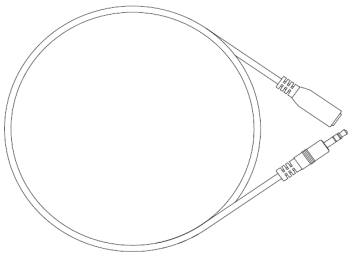
#### Product Specifications

Plug 1: 3.5 Audio Jack, Nickel-Plated

Plug 2: 3.5 Stereo Three Pole, Nickel-Plated

#### Materials

PVC



### Rope Sensor

#### Application

The rope sensor detects water leaks along its entire 4 foot length when plugged directly into the sensor dock or when it is connected to an extension cable that is plugged into a sensor dock.

#### Product Specifications

Plug 1: 3.5 Audio Jack, Nickel-Plated

Plug 2: 3.5 Stereo Three Pole, Nickel-Plated

Conductor Resistance: 3 ohms Max

Insulation Resistance: 10M ohms Min

Leak Detection Length: Along entire 4' surface (not including plugs); can connect up to 25 ropes for 100' per line or 300' per sensor dock

#### Materials

Black & White Spiral PVC

