

# Snap-on Valve Controller

## Application

The LeakSmart® Snap is an innovative home water shut-off valve controller that installs in a snap. Installs onto your existing water main shut-off valve without any tools or the need to cut into pipes. Fits in tight spaces and installs at any angle on any ball or gate valve. Programs itself to calibrate the torque required to turn off even the toughest water shut-off valve and adjusts if necessary. Works even if Wi-Fi and power go out.

## Features

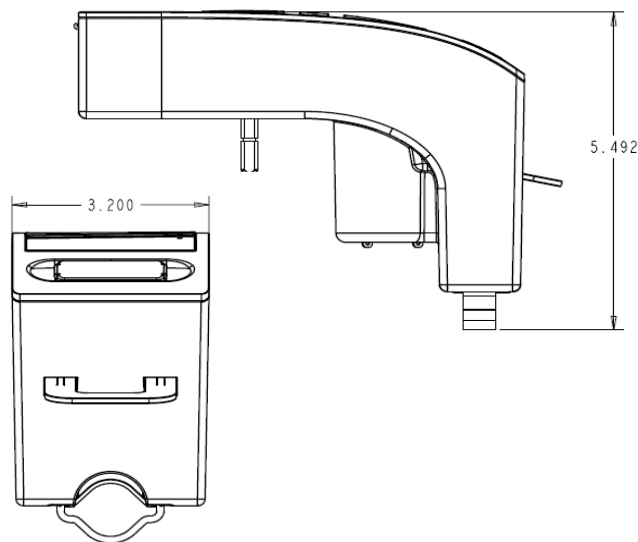
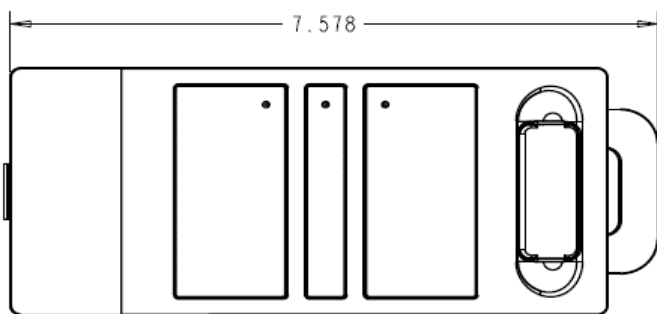
- Supports Zigbee Networking
- Works on any ball or gate valve
- Fits a 3/4" and 1" pipe
- Quick connect wiring
- AC power with battery back-up
- 3 LED status lights
- Automatic 22-day cleaning cycle
- 5-year manufacturer's warranty\*

## Product Specifications

- Frequency: 2405 to 2480 MHz
- Max. operating pressure: 150 PSI
- Max. ambient temperature: 130° F (54° C)
- Min. water temperature: 33° F (1° C)
- Max. water temperature: 190° F (88° C)
- Battery size: AA (included)
- AC Adapter: 5' power adapter cord
- Input AC Voltage: 110 to 240 VAC, 50/60 Hz
- DC Output: 9 Volt
- Size: 4.25 x 4.50 x 3.50

## Materials

High performance engineered polymer



\* Dimensions for reference purposes only

## Approvals



\* 5-year manufacturer's warranty when purchased and installed by a professional installer.